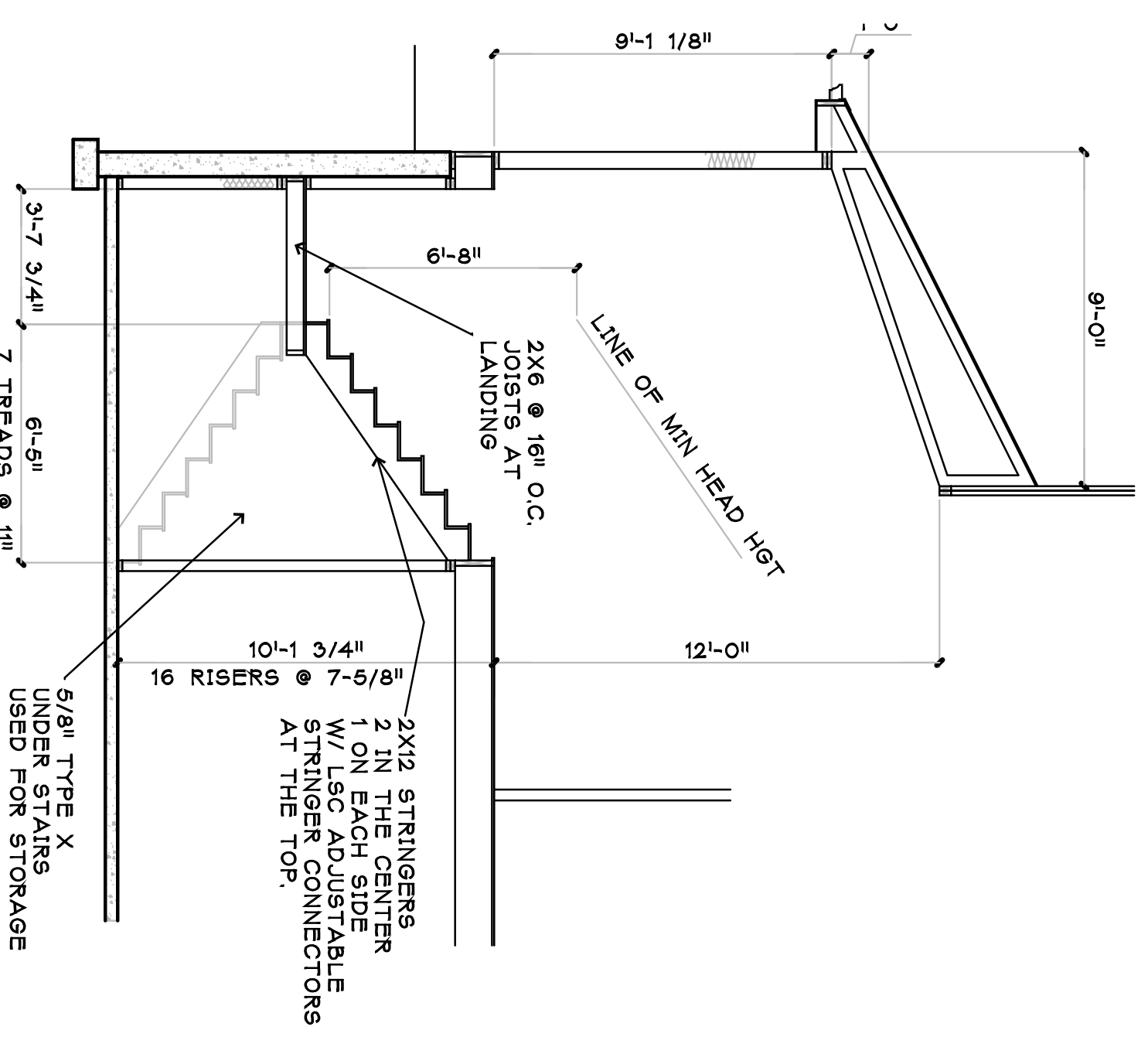


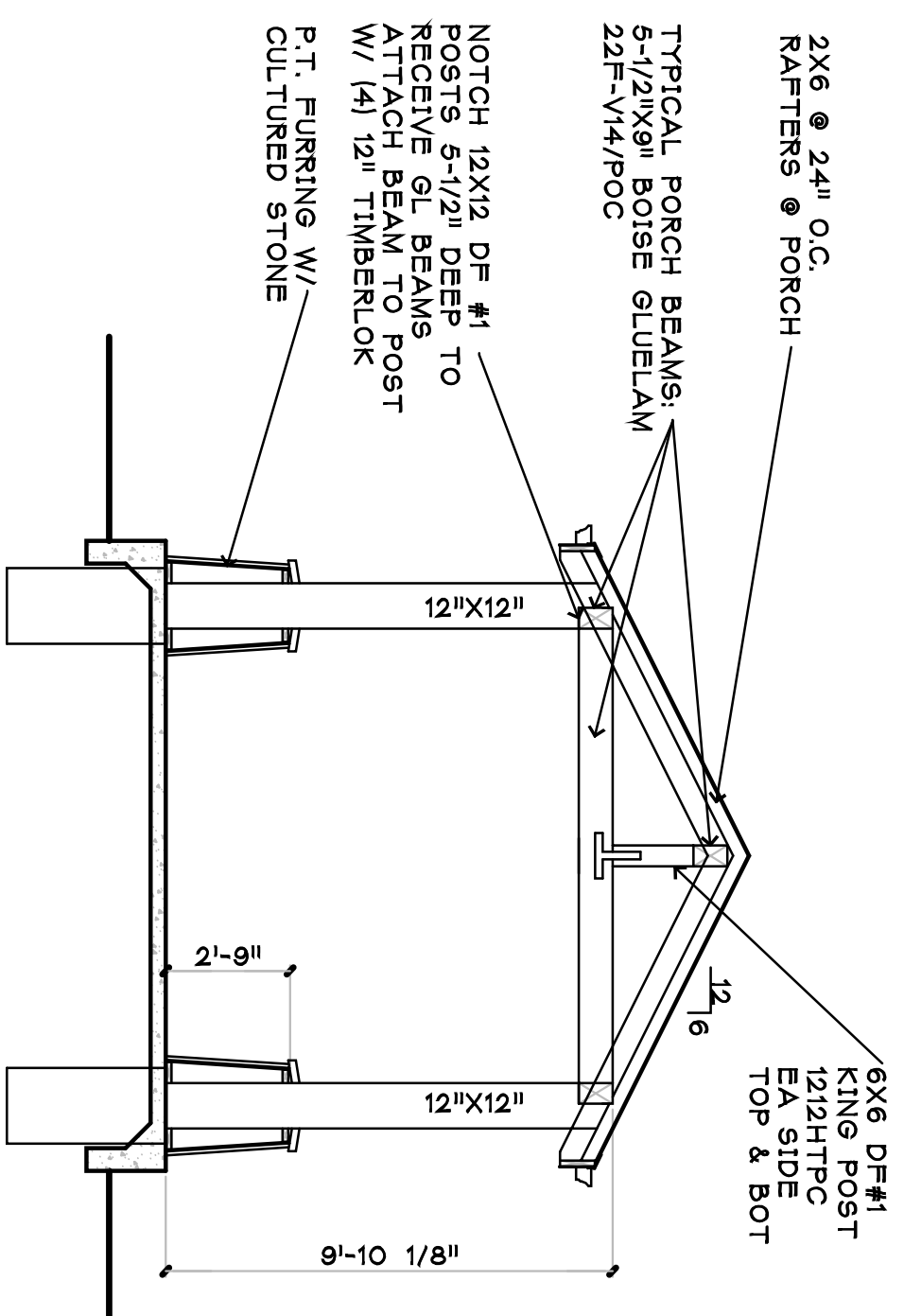
BUILDING SECTION

SCALE 1/4" = 1'-0"

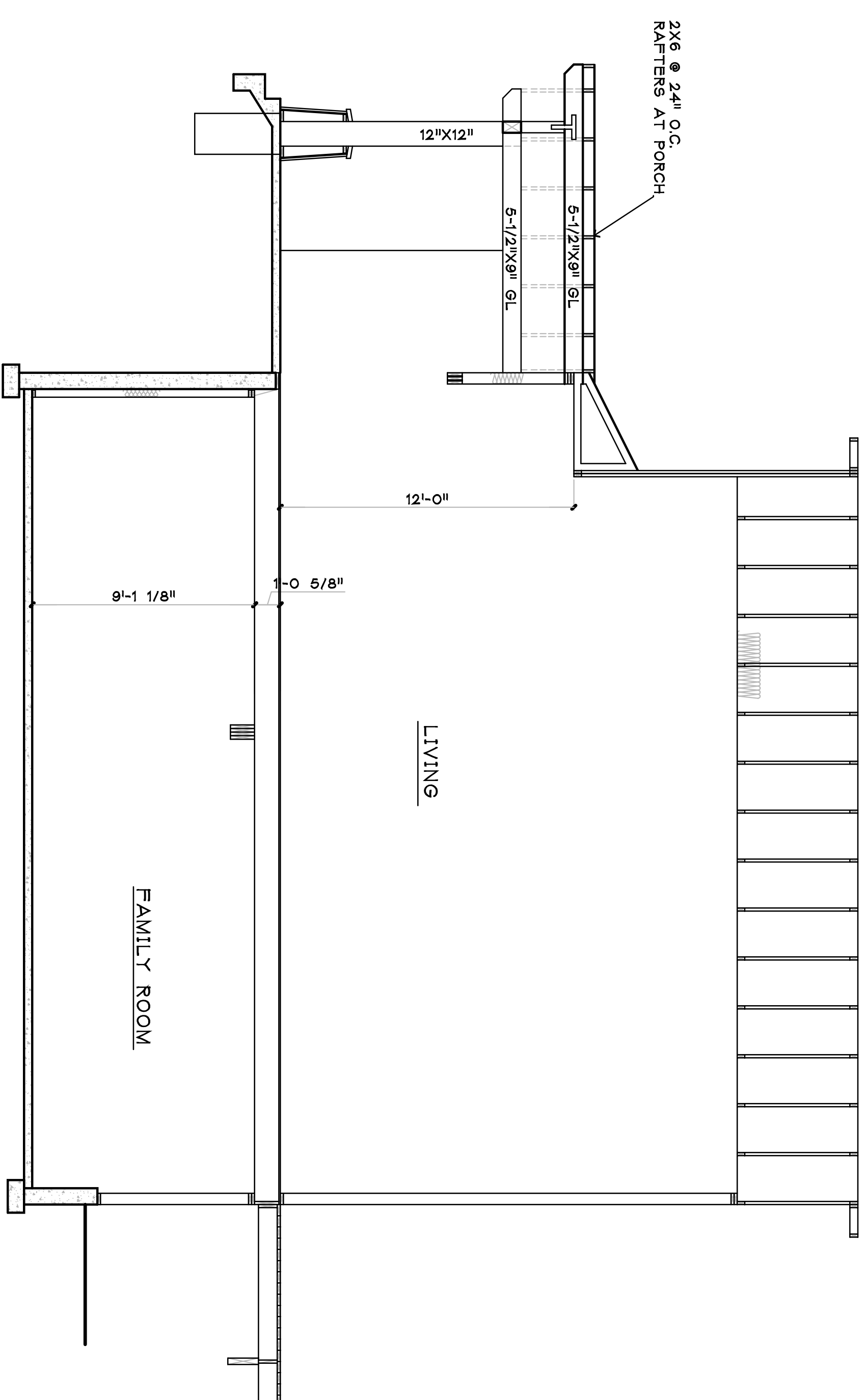
1 BUILDING SECTION THRU GARAGE
SCALE 1/4" = 1'-0"



2 BUILDING SECTION THRU STAIRS
SCALE 1/4" = 1'-0"



3 BUILDING SECTION THRU ENTRY
SCALE 1/4" = 1'-0"



4 BUILDING SECTION THRU ENTRY AND LIVING RM
SCALE 1/4" = 1'-0"

SEAL
PRELIMINARY

DATE
4-3-18

REVISIONS

RESIDENCE
CHIPMUNK DRIVE
LOT 1, WILDERNEST
WOODLAND PARK, COLORADO

CRS Architects, LLC
1231 Rampart Range Road
Woodland Park, CO 80863
719-331-8179

A6

SHEET