
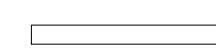
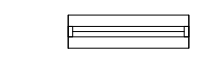

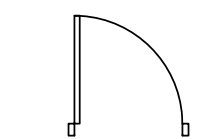
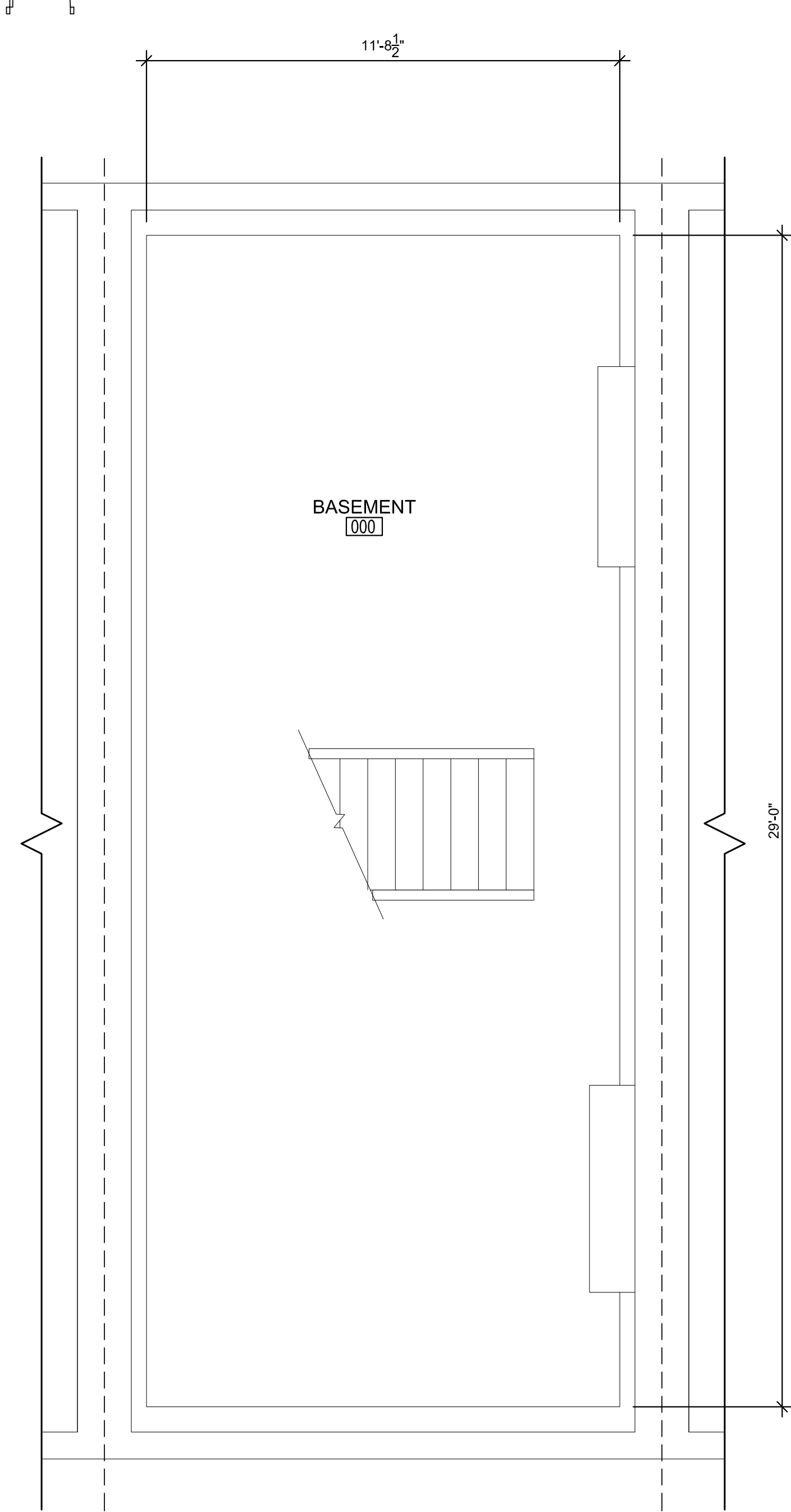
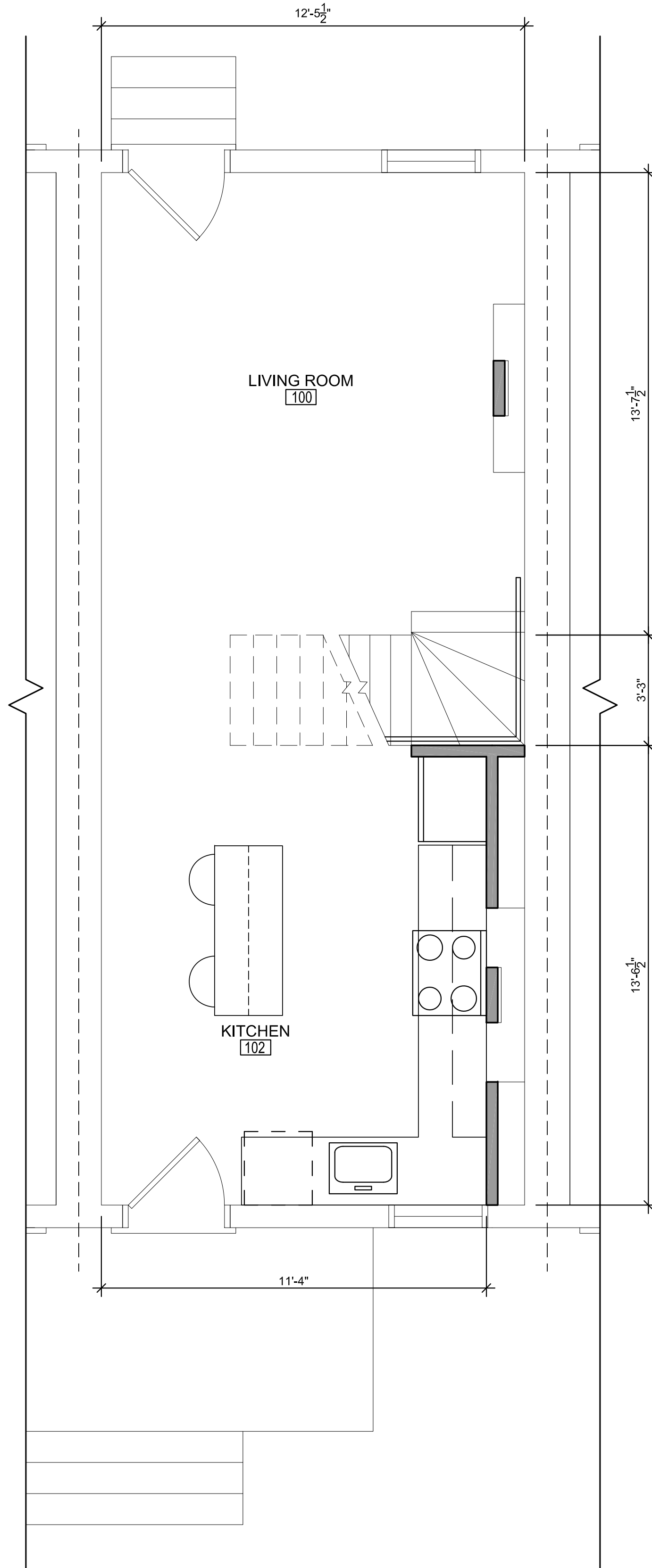


PLAN LEGEND:

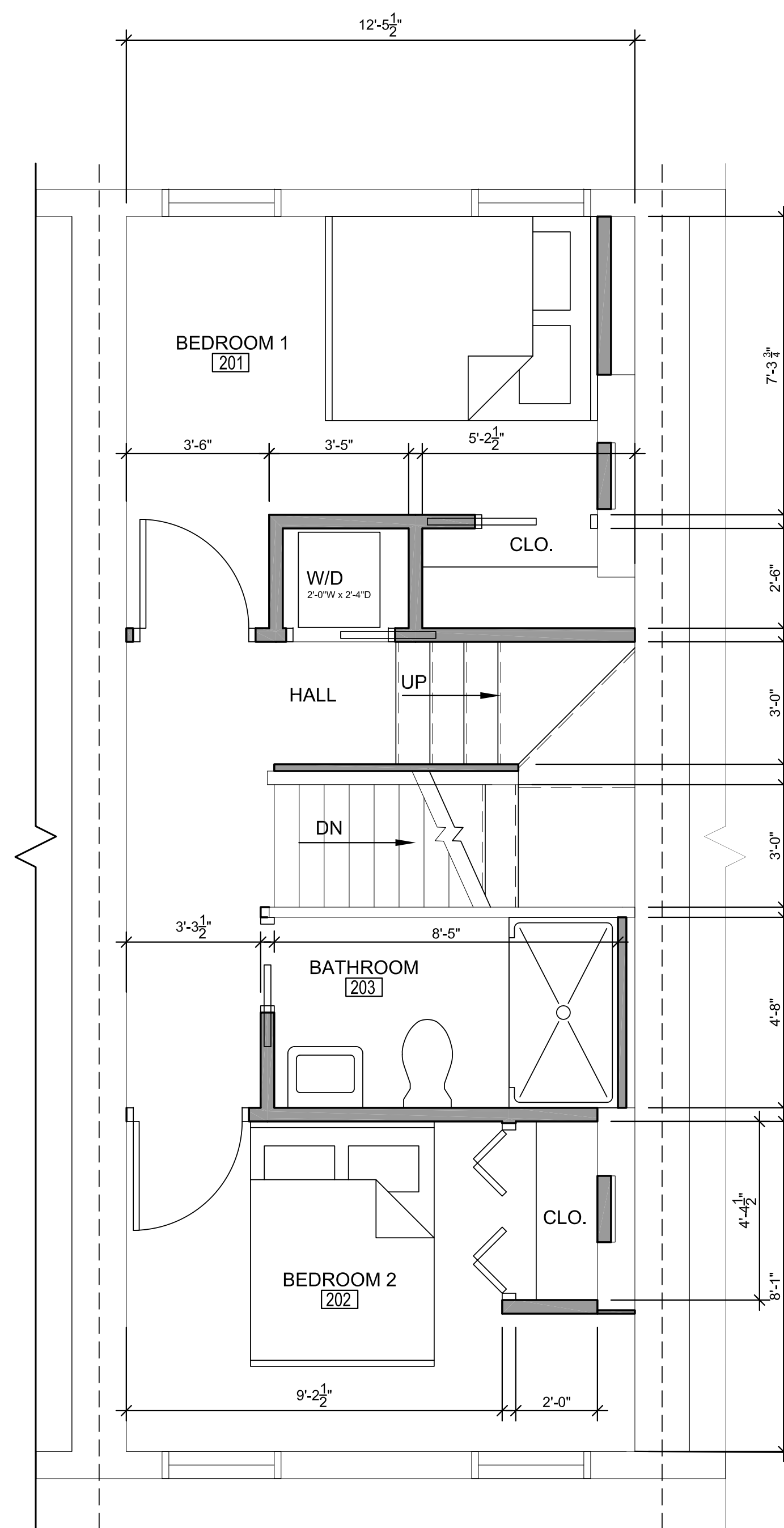
-  EXISTING EXTERIOR SHELL WALL
-  EXISTING INTERIOR PARTITION
-  EXTERIOR WINDOW UNIT
-  NEW INTERIOR G.W.B. & WOOD STUD PARTITION
-  NEW DOOR and FRAME



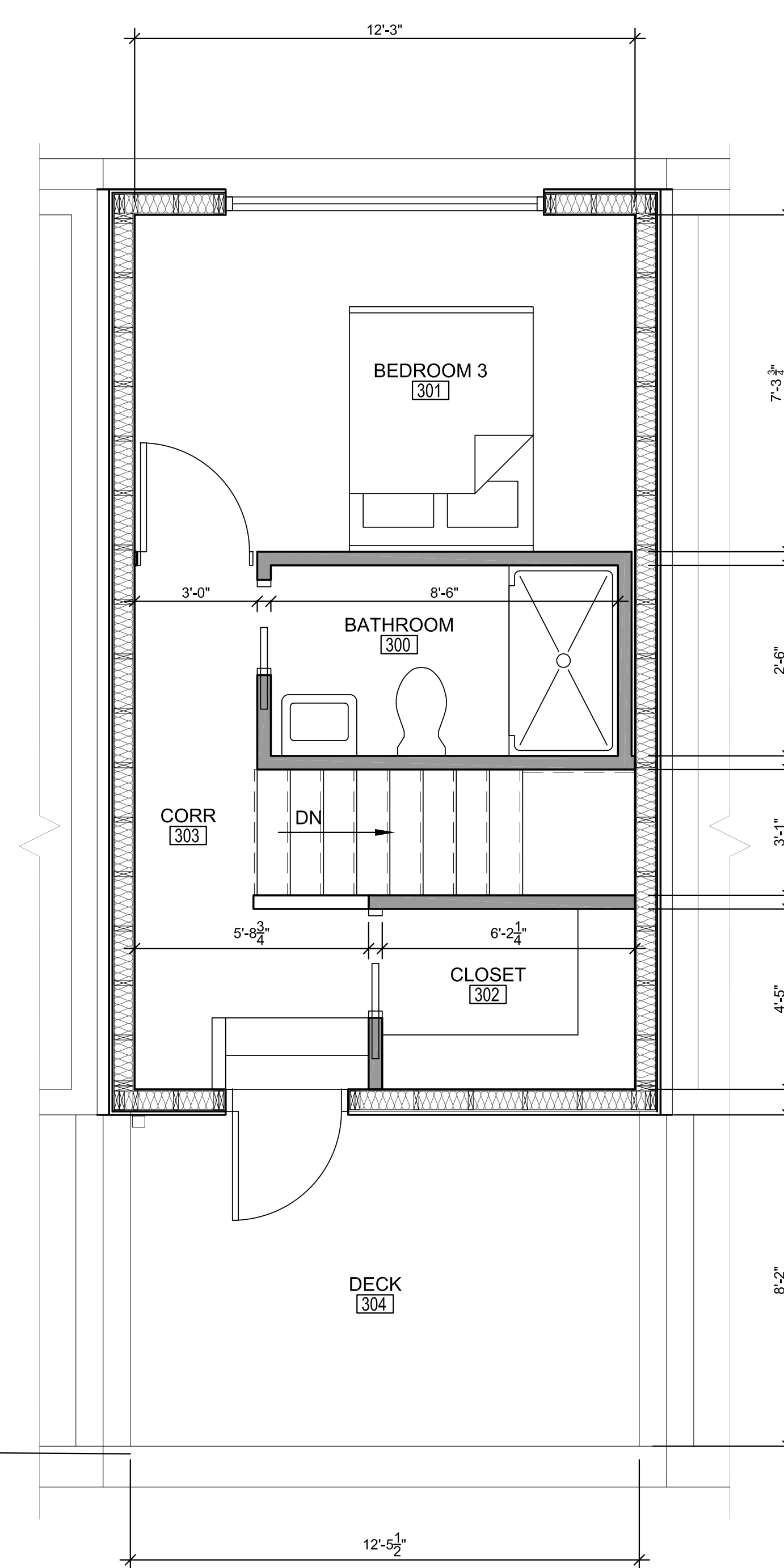
1 Partition Plan @ BASEMENT
A2.00 SCALE: 3/8" = 1'-0"



2 Partition Plan @ FIRST FLOOR
A2.00 SCALE: 3/8" = 1'-0"

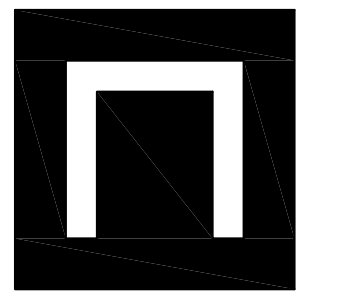


3 Partition Plan @ SECOND FLOOR
A2.00 SCALE: 3/8" = 1'-0"



4 Partition Plan @ THIRD FLOOR
A2.00 SCALE: 3/8" = 1'-0"

NOT FOR CONSTRUCTION
ALL DIMENSIONS ARE ±



NEXT
architecture

1133 PENN AVENUE
SUITE 100
PITTSBURGH, PA 15222
P 412.681.1145
F 412.681.1165
www.next-architecture.net

5248 HARRISON STREET
PITTSBURGH, PA 15201
ALLEGHENY COUNTY

PROJECT No. 18026.01

PARTITION
PLANS

DRAWING NO.

A2.00