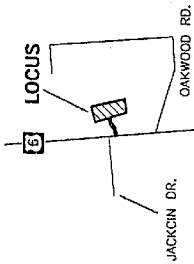


LOCUS
(NO SCALE)



LEGEND

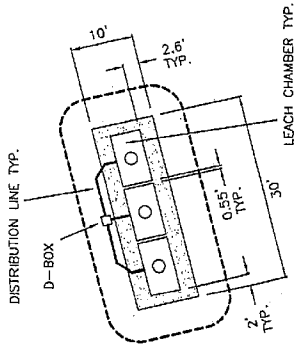
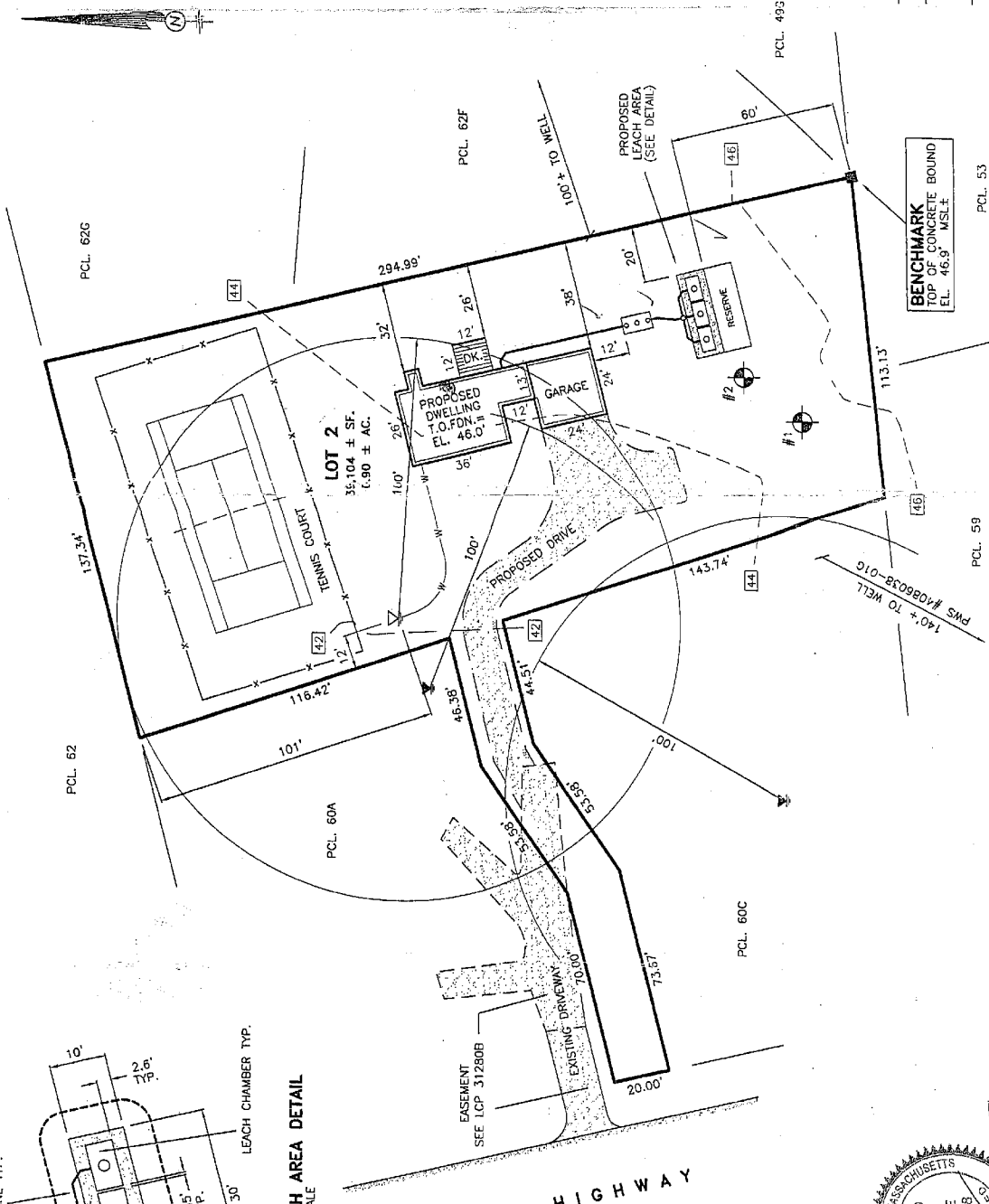
- EXISTING SEPTIC
- ▽ EXISTING WELL
- ▽ PROPOSED WELL
- - - EXISTING CONTOUR
- - - PROPOSED CONTOUR
- W- WATER LINE
- ⊙ TEST HOLE
- SEPTIC TANK

NOTES: FINAL GRADING AROUND DWELLING AND DRIVE TO BE DETERMINED BY OWNER AND BUILDER ON SITE. VERIFY BUILDING HEIGHT AND PROPOSED FOUNDATION ELEVATION WITH BUILDING DEPARTMENT PRIOR TO CONSTRUCTION.

Je Long 3/9/11

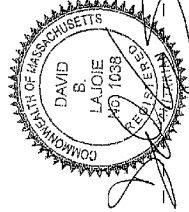
SITE & SEWAGE PLAN

LOCUS:	5830 ROUTE 6
PREPARED FOR:	EASTHAM, MA
	RUSSELL SANDBLOW
	P.O. BOX 1934
	N. EASTHAM, MA 02651
REFERENCE: ASSR'S MAP	2
PARCEL	60B
SCALE: 1" = 40'	DATE: 11-14-2003
SHEET No. 1 OF 2	JOB No. 02091



LEACH AREA DETAIL
NO SCALE

STATE HIGHWAY
ROUTE 6



ALL WELLS NOT SHOWN EXCEED 200' FROM LOCUS SEWAGE. VERIFY ZONING AND UTILITY SETBACK DIMENSIONS PRIOR TO CONSTRUCTION. THIS PLAN IS PREPARED FOR COMPLIANCE WITH 310 CMR 15.000 ONLY AND SHALL NOT BE USED FOR ANY OTHER PURPOSE.

FE.LCO, INC.
ENGINEERING - LAND SURVEYING
P.O. BOX 1166 ORLEANS, MA 02653
(508) 255-8141 (FAX) 255-2954

REVISIONS	